

Luxaflex®
Aluminium
Shutters

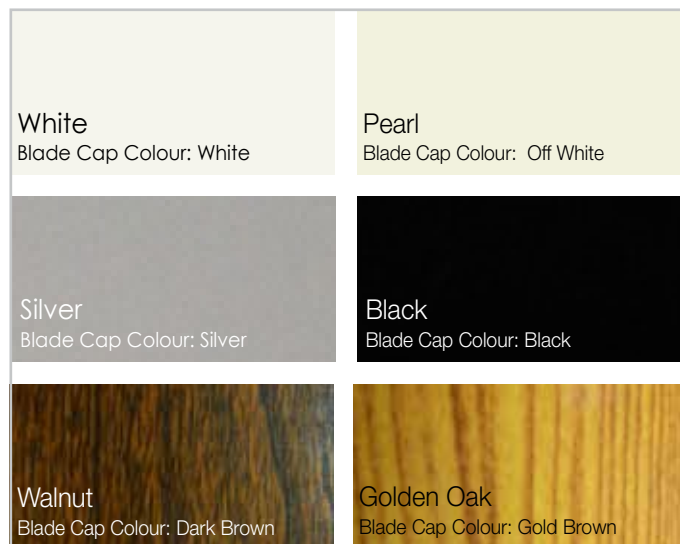
NEW
Shutter
Range



Luxaflex® Aluminium Shutters

Introducing the New LUXAFLEX® Aluminum Shutters, combining beauty, durability and versatility to transform any home. Made to measure, easy maintenance, and built with strength and security in mind, they create a modern or contemporary style for both the indoor and outdoor spaces of Australian homes.

Luxaflex Aluminium Shutters also allow you to customise your window coverings to your styling needs, choosing colour, panel configuration and blade size and with the option of fixed or moveable panels, allows for easy function and styling in any room inside or outside of the home. With 3 security options available, Flush Bolt, Security Bolt and Lockable Handle, both your design and safety needs are met.

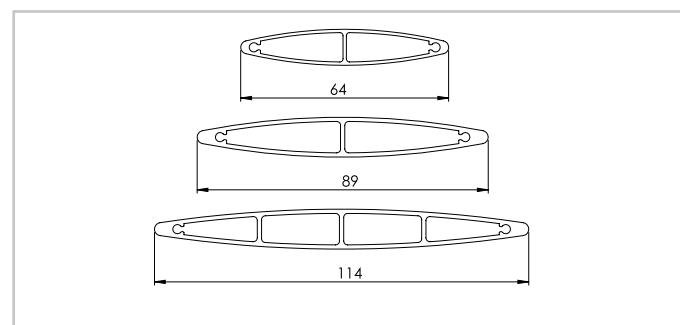


Colour Options

There are four standard powder coat finishes along with two timber wraps which offer the look of the traditional timber shutter, with the durability of aluminum.

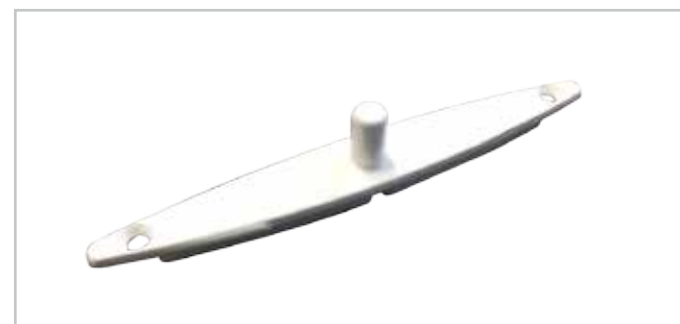
Custom Colour Finish

Custom colour can be ordered to match a sample and is applied as a powdercoat. Special effects cannot be created.



Blades

Available in three blade sizes - 64mm, 89mm and 114mm.



Blade End Caps

A robust aluminium end cap which offers a quality finish.

-Ability to colour match to the standard or custom colour selected.

Options

Luxaflex Aluminium Shutters come in various panel configuration options to suit all your indoor and outdoor needs.

• Hinged – no frame	• Hinged in L or Z Frame
• Fixed in Channel	• Sliding
• Multi-fold (Bi-fold)	• Standard fold
• Reverse fold	

Extras

Flush Bolts



Available Installation Methods:

- Hinged in Frame
- Hinged No Frame
- Multi-Fold (bottom only)

Important Note:

Flush bolts cannot be fitted to the section of the panels where the hardware is attached to the tracking system.

Security Bolt



Available Installation Methods:

- Hinged in Frame
- Hinged No Frame

Important Note:

The security bolt is stainless steel and is placed at the top or bottom of the selected panel(s) stile on the opposite side of the hinges.

Lockable Metal Handle



Available Colours:

- Black
- White

Important Note:

When a handle is ordered with an 89mm or 114mm blade, its default position will be adjacent to the mid-rail so the handle will clear the blade protrusion.

Blade Stay



Elegantly incorporated into the blade, the blade stay allows you to position the blade into a fixed open or closed position. This function prevents the wind from blowing the shutter closed.

The blade lock also offers more security when locked into the closed position preventing external person from pushing the blades open.



Luxaflex[®]